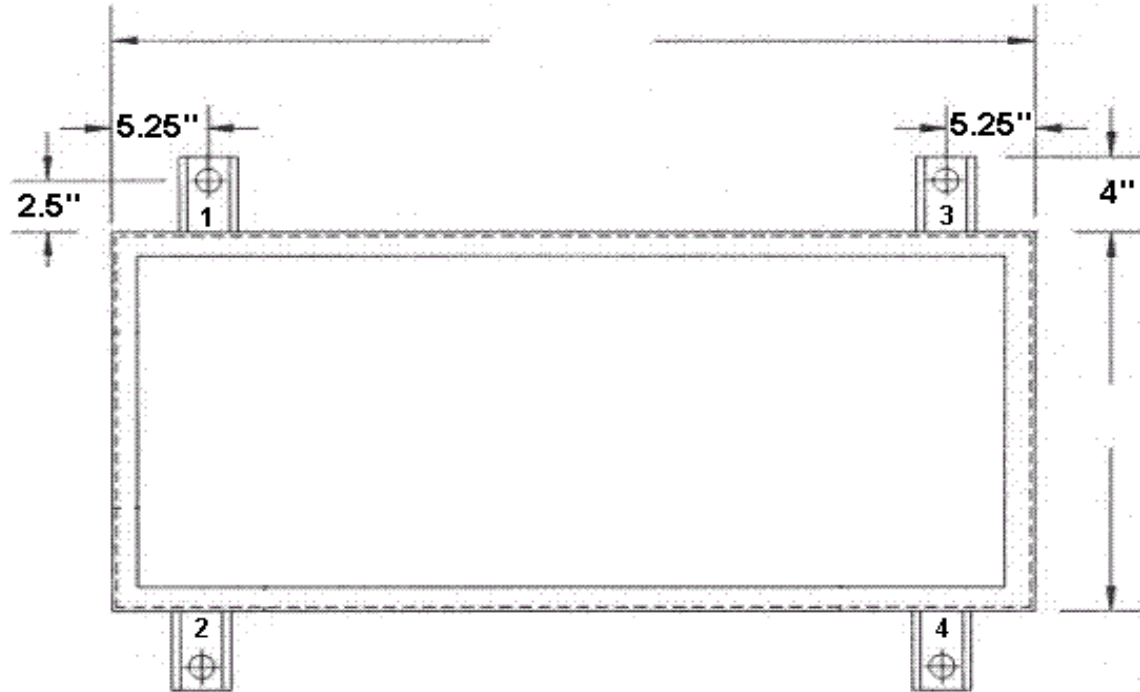
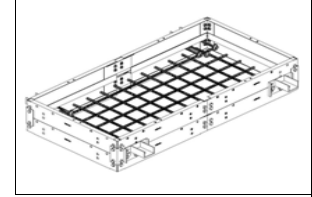


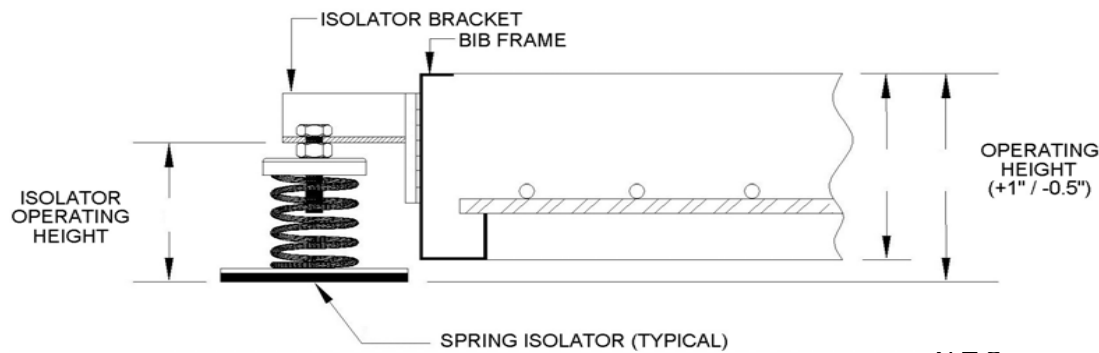
VIBRATION MANAGEMENT CORPORATION

5930 THOMAS ROAD , HOUSTON , TEXAS 77041 , U.S.A

INTERNET ADDRESS: www.vimco.biz



N.T.S



N.T.S

INERTIA BASE MODEL:			
EQUIPMENT MFR.:			
EQUIP. MODEL:			
FRAME MODEL:			
KW / HP:			
RPM:			
EQUIP. WEIGHT:			
PIPING WEIGHT:			
BASE WEIGHT:			
TOTAL WEIGHT:			
LOC.	LOAD	ISOLATOR	DEFL.
1			
2			
3			
4			
" REBAR ON " CENTERS			
SHIP BASES: <input type="checkbox"/> ASSEMBLED <input type="checkbox"/> KNOCKDOWN			

FEATURES

- * Modular construction: available in 6" interval lengths, widths and all standard thicknesses (4", 6", 8", 10", 12")
- * Red oxide coated formed steel components
- * Welded adjustable height saving isolator brackets

Notes / Remarks :

Project :
Client :
Consultant :
Representative :

Title :

BIB
Bolted Inertia Base™
(4 Support points)

Drawing no.
S-3000.06

Rev. 1

VIBRATION MANAGEMENT CORPORATION

5930 THOMAS ROAD , HOUSTON , TEXAS 77041 , U.S.A

INTERNET ADDRESS: www.vimco.biz

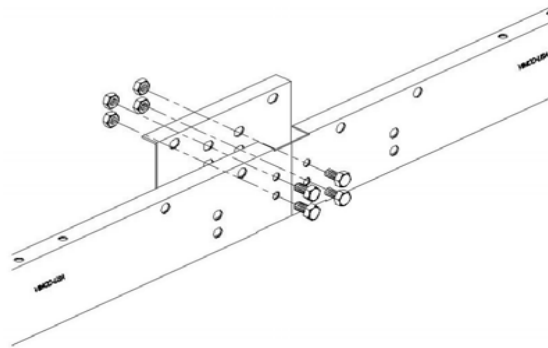
BILL OF MATERIALS*:

(per base)

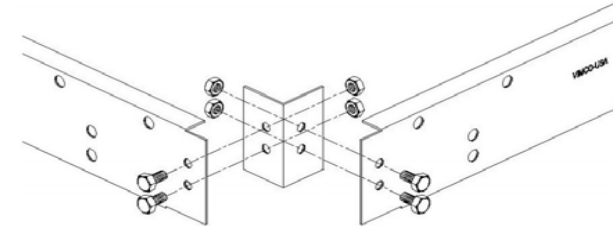
COMPONENT	QTY
BIB-side-24"x4"	
BIB-side-30"x4"	
BIB-side-36"x4"	
BIB-side-42"x4"	
BIB-side-24"x6"	
BIB-side-30"x6"	
BIB-side-36"x6"	
BIB-side-42"x6"	
BIB-horizontaljoint-4"	
BIB-horizontaljoint-6"	
BIB-corner-4"	
BIB-corner-6"	
BIB-verticaljoint	
BIB-verticallock	
BIB-isolatorbracket2	
BIB-rebar-23"	
BIB-rebar-29"	
BIB-rebar-35"	
BIB-rebar-41"	
BIB-rebar-47"	
BIB-rebar-53"	
BIB-rebar-59"	
BIB-rebar-65"	
BIB-rebar-71"	
BIB-rebar-77"	
BIB-rebar-83"	
BIB-rebar-89"	
BIB-rebar-95"	
BIB-rebar-101"	
BIB-rebar-107"	
BIB-rebar-113"	
BIB-rebar-119"	
BIB-rebar-125"	
BIB-rebar-131"	
BIB-rebar-137"	
BIB-rebar-143"	

ASSEMBLY DETAILS:

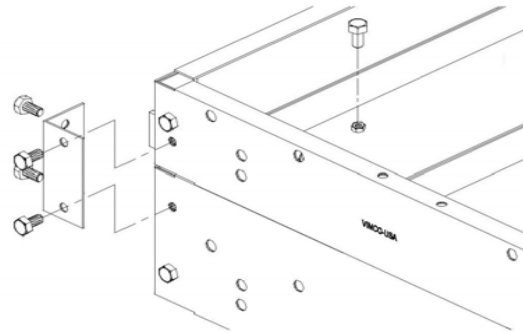
STEP 1: Horizontal joint assembly



STEP 2: Corner assembly

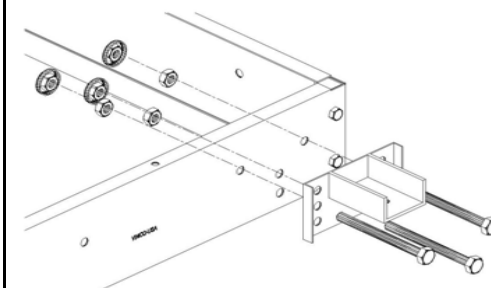


STEP 3: Vertical joint / vertical lock assembly



Use corner assembly hardware for vertical joint

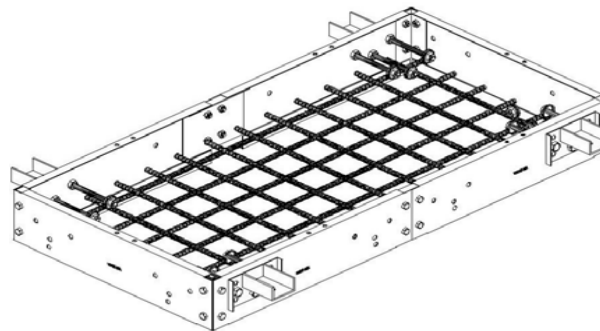
STEP 4: Isolator bracket assembly



Only 2 anchor bolts required when bottom bracket holes are used.

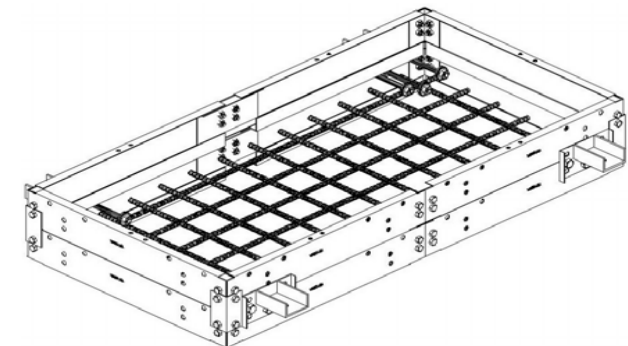
Bracket hole:	
	TOP
	MIDDLE
	BOTTOM

STEP 5: Rebar layout



Tie rebars together with steel wire to hold in place

TYPICAL FINAL ASSEMBLY:



* Alternative BOM's may be possible