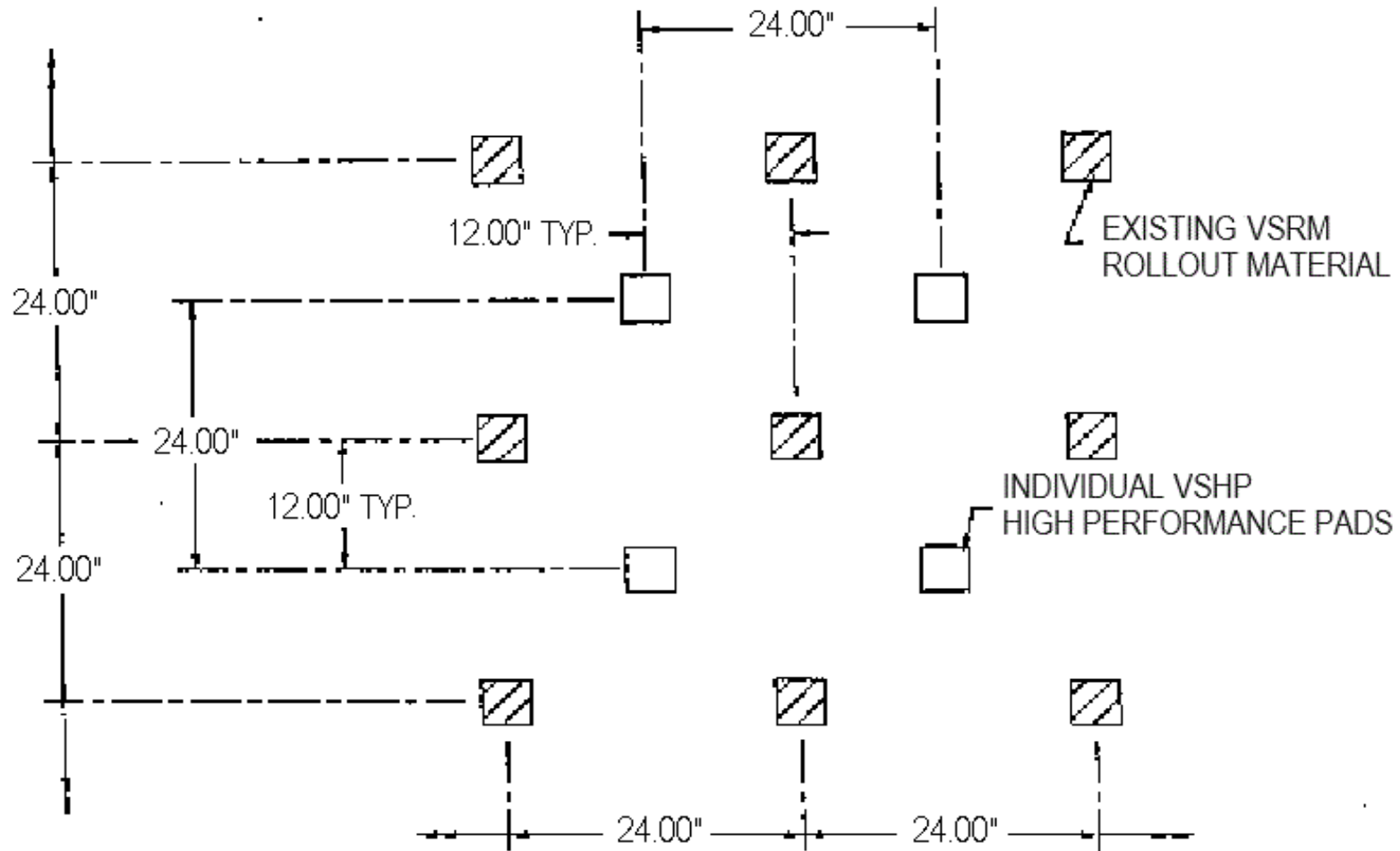


# VIBRATION MANAGEMENT CORPORATION

5930 THOMAS ROAD , HOUSTON , TEXAS 77041 , U.S.A

INTERNET ADDRESS: [www.vimco.biz](http://www.vimco.biz)



Notes / Remarks :

Project :  
 Client :  
 Consultant :  
 Representative :

Title : High Load Pad Layout on  
**VSRM-24 Rollout Material**  
 (24" spacing)

Drawing no.  
**S-2600.19**

Rev. 0