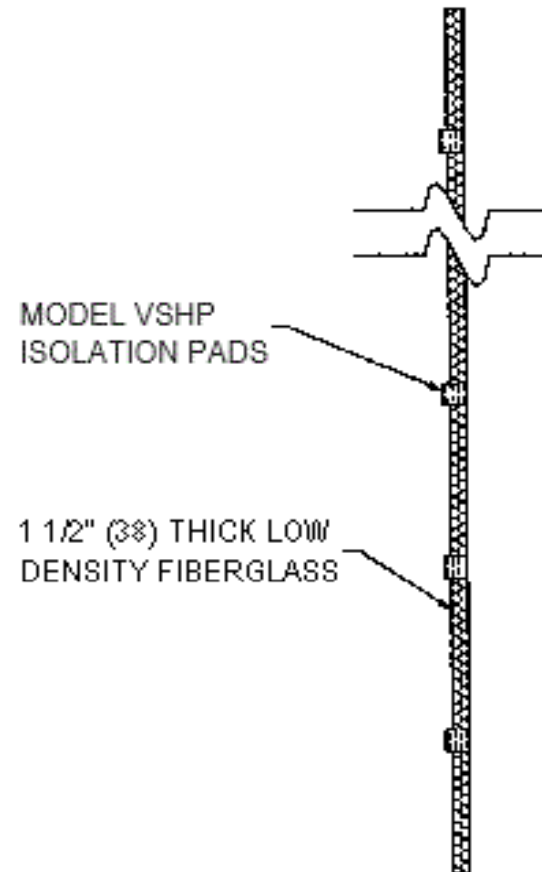
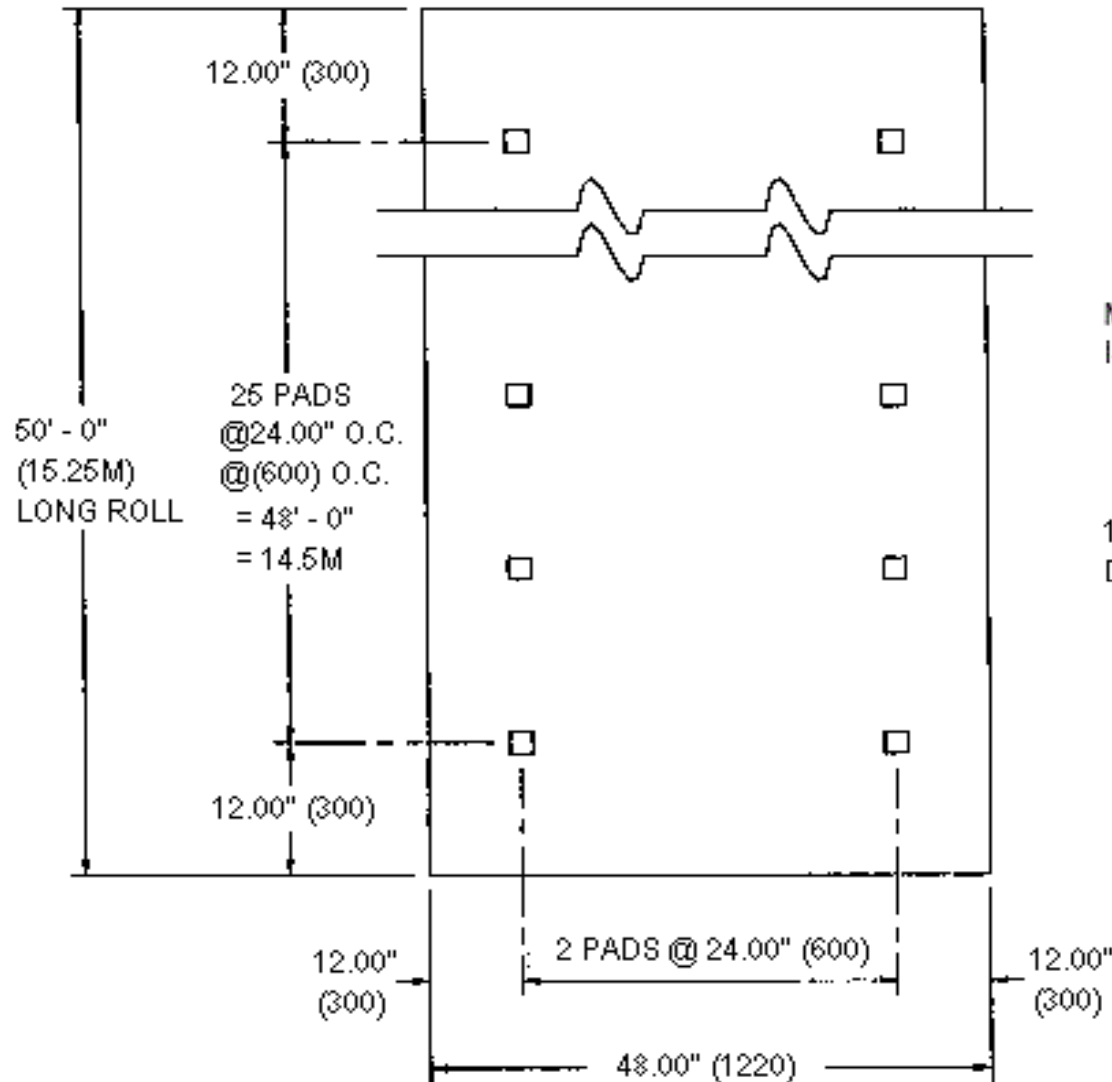


VIBRATION MANAGEMENT CORPORATION

5930 THOMAS ROAD , HOUSTON , TEXAS 77041 , U.S.A

INTERNET ADDRESS: www.vimco.biz



NOTE:
IF INSTALLED END TO END, CUT OR OVERLAP FIBERGLASS TO MAINTAIN 24.00" (600) O.C. PAD SPACING

Notes / Remarks :

Project :
Client :
Consultant :
Representative :

Title : **VSRM-24** Rollout Isolation Material with **VSHP** Pads at **24"** center to center spacing

Drawing no. **S-2600.14**

Rev. 0