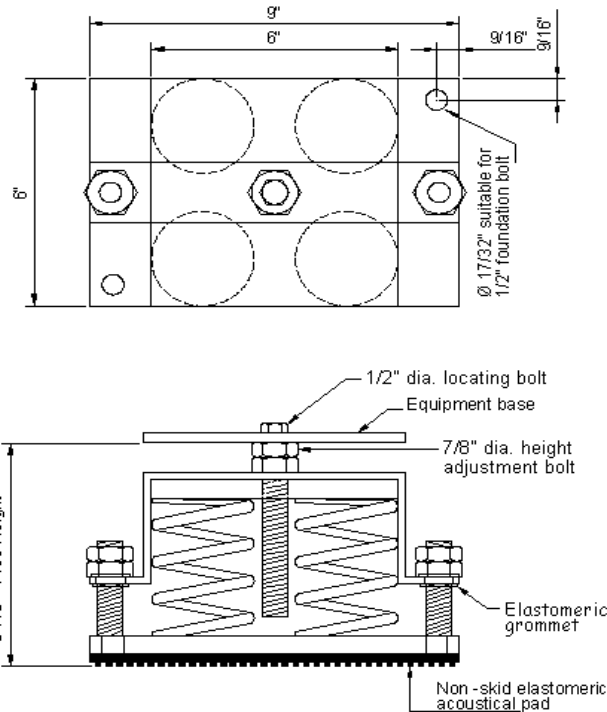
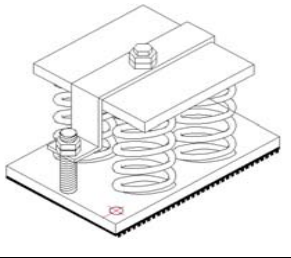


VIBRATION MANAGEMENT CORPORATION

5930 THOMAS ROAD , HOUSTON , TEXAS 77041 , U.S.A

INTERNET ADDRESS: www.vimco.biz



N.T.S.

ISOLATOR MODEL	RATED LOAD (lbs)	SOLID LOAD (lbs)
RSM-4-181	344	520
RSM-4-182	532	800
RSM-4-183	720	1080
RSM-4-184	1064	1600
RSM-4-185	1944	2920
RSM-4-186	2852	4280
RSM-4-187	3704	5560
RSM-4-181-199	2372	3560
RSM-4-182-199	2532	3800
RSM-4-183-199	2732	4100
RSM-4-184-199	3132	4700
RSM-4-185-199	3732	5600
RSM-4-186-199	4932	7400
RSM-4-187-199	5840	8760

FEATURES

- * RESTRICTO™ assembly limits vertical movement due to reduced loads or external forces (wind loads)
- * Welded construction
- * Anti-skid elastomeric acoustical pad
- * Built-in leveling device
- * Mounting holes furnished as standard
- * Galvanized finish
- * Elastomeric 'non-shortcircuiting' grommets
- * High deflection, low natural frequency
- * Spring elements color-coded for easy field verification

NOTES

1. Isolators have a min. operating Kx/Ky ratio of 1.0
2. Springs have 50% additional travel to solid beyond rated load.
3. Isolators should be selected in the range of -30% to +25% of rated load.
4. Adjust RESTRICTO™ assembly vertical limiting nuts as per clearance levels specified by project engineer. (standard: 1/4" maximum: 1/2")
5. Consult spring chart for isolator performance data.

Notes / Remarks :

Project :
Client :
Consultant :
Representative :

Title :

RSM-4
Restrained Spring Mount
(3" deflection)

Drawing no.
S-2075.23

Rev. 2