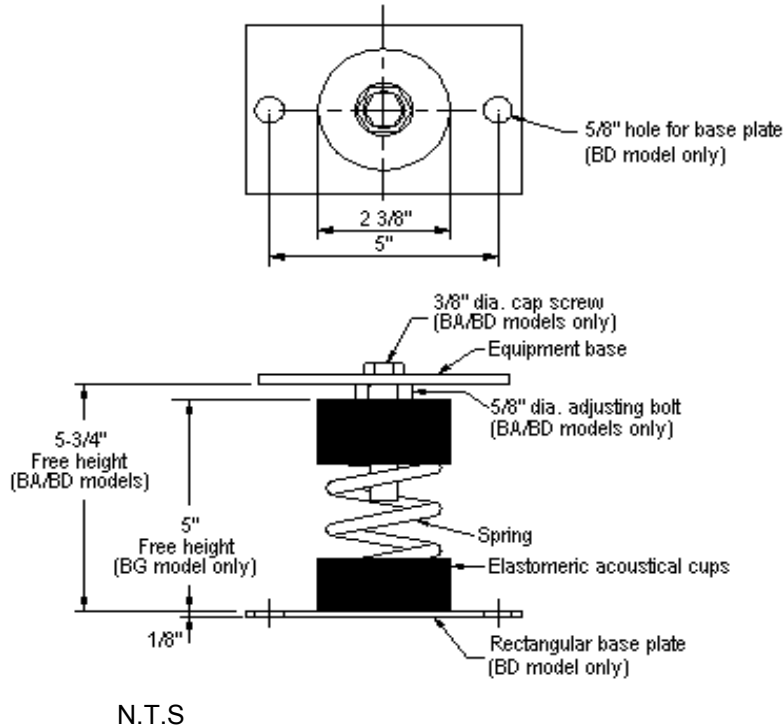
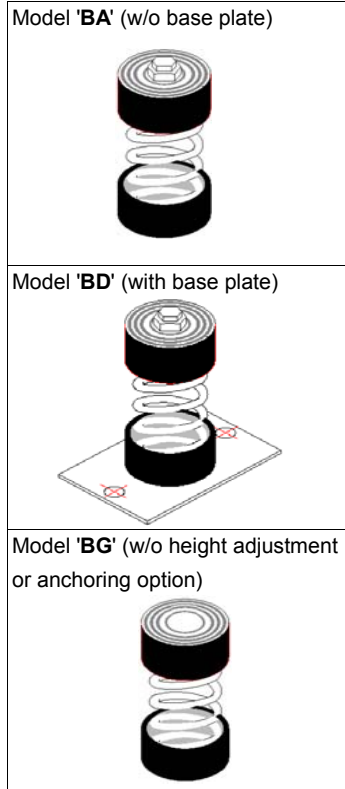


VIBRATION MANAGEMENT CORPORATION

5930 THOMAS ROAD , HOUSTON , TEXAS 77041 , U.S.A

INTERNET ADDRESS: www.vimco.biz



ISOLATOR MODEL	RATED LOAD (lbs)	SOLID LOAD (lbs)
Bx-081	32	48
Bx-082	50	76
Bx-083	89	134
Bx-084	158	237
Bx-085	280	420
Bx-086	360	540
Bx-087	485	728

x Choose appropriate isolator model: BA,BD,BG using mounting style diagrams on left.

FEATURES

- * Large diameter laterally stable springs
- * Weld-free construction
- * Anti-skid elastomeric acoustical cup
- * Built-in leveling device
- * High deflection, low natural frequency
- * Spring elements color-coded for easy field verification

NOTES

1. Springs have 50% additional travel to solid beyond rated load.
2. Isolators should be selected in the range of -30% to +25% of rated load
3. Consult spring chart for isolator performance data.

Notes / Remarks :

Project :
Client :
Consultant :
Representative :

Title :

BA / BD
Free-standing Spring Mount
Rubber Cup Construction
(2" deflection)

Drawing no.

S-2025.11

Rev. 1