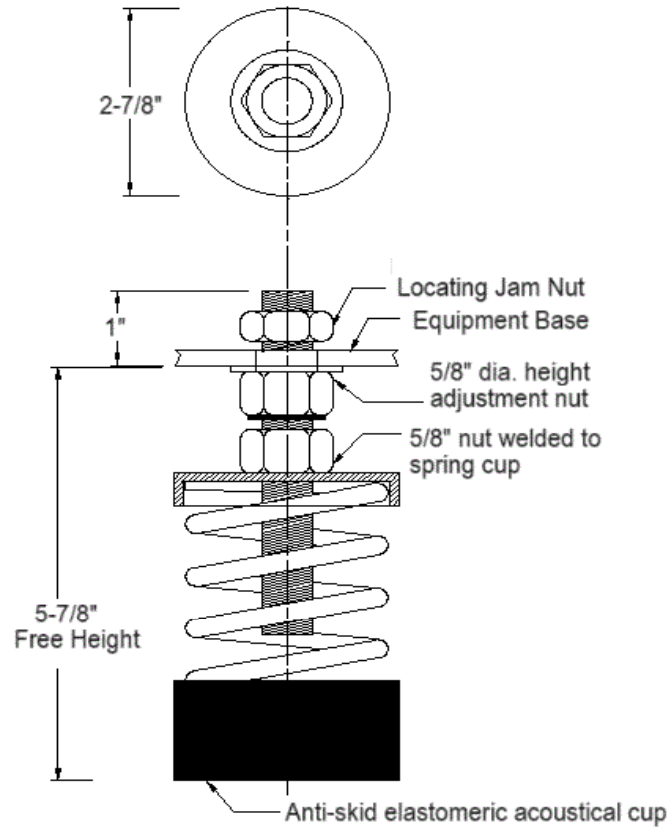


# VIBRATION MANAGEMENT CORPORATION

5930 THOMAS ROAD , HOUSTON , TEXAS 77041 , U.S.A

INTERNET ADDRESS: [www.vimco.biz](http://www.vimco.biz)



N.T.S

## NOTES

1. Springs have 50% additional travel to solid beyond rated load.
2. Isolators should be selected in the range of -30% to +25% of rated load.
3. Consult spring chart for isolator performance data.

ISOLATOR MODEL	RATED LOAD (lbs)	SOLID LOAD (lbs)
BY-150	83	125
BY-151	150	225
BY-152	216	325
BY-153	300	450
BY-154	400	600
BY-155	500	750
BY-156	600	900
BY-157	733	1100
BY-158	1200	1800
BY-159	1666	2500
BY-150-161	481	722
BY-151-161	532	799
BY-152-161	597	896
BY-153-161	666	1000
BY-154-161	750	1125
BY-155-161	871	1307
BY-156-161	1016	1525
BY-157-161	1108	1663
BY-158-161	1616	2425
BY-159-161	2083	3125

\* Mounting holes furnished as standard

## FEATURES

- \* Large diameter laterally stable springs
- \* Weld-free construction
- \* Anti-skid elastomeric acoustical cup
- \* Built-in leveling device
- \* Center mounting hole furnished as standard
- \* Spring elements color-coded for easy field verification

Notes / Remarks :

Project :  
Client :  
Consultant :  
Representative :

Title :

**BY**  
**Free-standing Spring Mount**  
**Rubber Cup Construction**  
**(1" deflection)**

Drawing no.

**S-2020.04**

Rev. 0