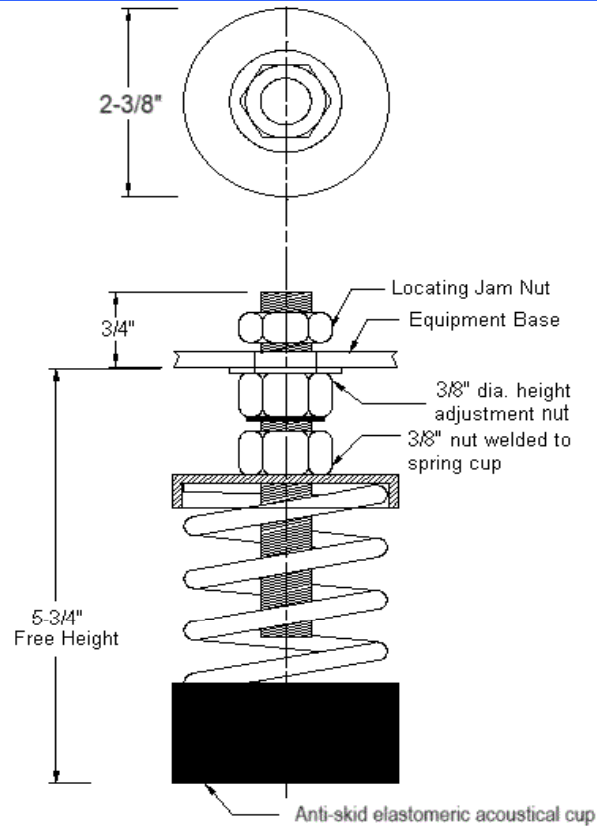


VIBRATION MANAGEMENT CORPORATION

5930 THOMAS ROAD , HOUSTON , TEXAS 77041 , U.S.A

INTERNET ADDRESS: www.vimco.biz



N.T.S

NOTES

1. Springs have 50% additional travel to solid beyond rated load.
2. Isolators should be selected in the range of -30% to +25% of rated load.
3. Consult spring chart for isolator performance data.

ISOLATOR MODEL	RATED LOAD (lbs)	SOLID LOAD (lbs)
BW-101	56	85
BW-102	76	115
BW-103	113	170
BW-104	150	225
BW-105	216	325
BW-106	300	450
BW-107	400	600
BW-108	500	750
BW-109	600	900
BW-110	733	1100
BW-111	866	1300
BW-112	1000	1500
BW-101-113	507	761
BW-102-113	526	789
BW-103-113	554	831
BW-104-113	582	874
BW-105-113	647	971
BW-106-113	716	1075
BW-107-113	800	1200
BW-108-113	921	1382
BW-109-113	1066	1600
BW-110-113	1106	1660
BW-111-113	1240	1860
BW-112-113	1466	2200

FEATURES

- * Large diameter laterally stable springs
- * Weld-free construction
- * Anti-skid elastomeric acoustical cup
- * Built-in leveling device
- * Center mounting hole furnished as standard
- * Spring elements color-coded for easy field verification

Notes / Remarks :

Project :
Client :
Consultant :
Representative :

Title :

BW
Free-standing Spring Mount
Rubber Cup Construction
(1" deflection)

Drawing no. **S-2020.03**

Rev. 0